

Clean Filtration Technologies, Inc.

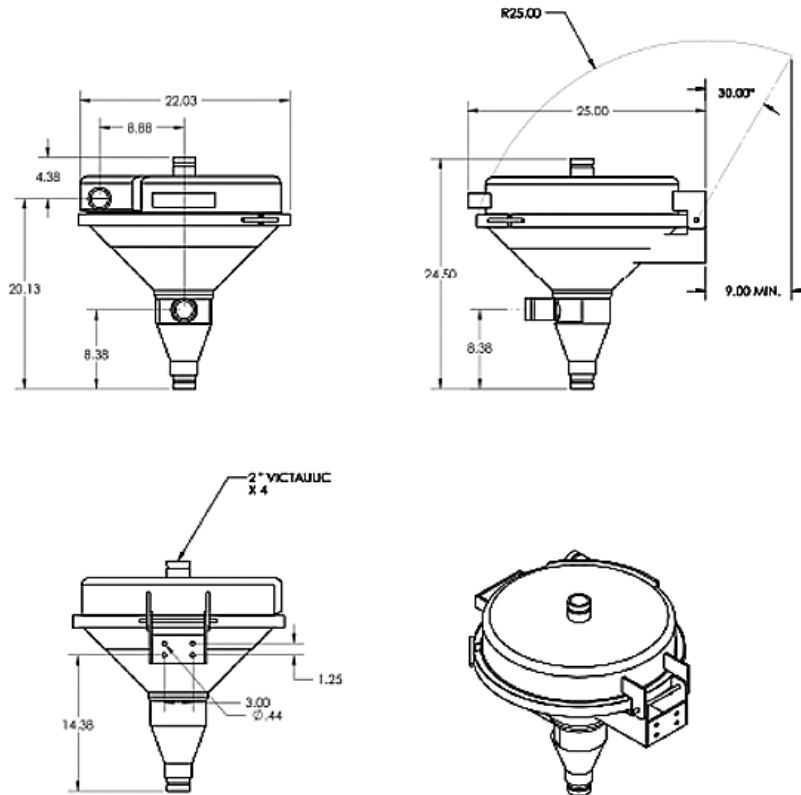
CFT Turboclone™ TC-201 Technical Datasheet

Technical Specifications

Inlet/outlet diameter	2 inch	pH, operating	2–11
Membrane pore size	10/15/20 µm	Membrane material	nickel alloy
Max flow rate	25/45/60 gpm	Construction material	fiber-reinforced polymer
Working pressure	10–60 psi	Dimensions	see drawing below
Max deadhead pressure	60 psi	Weight	70 lb
Max operating TMP ^a	2 psi	Seals	Viton
Typical operating TMP	1–1.5 psi	Fittings (2 inch)	pipe clamping system Victaulic or Groove Lock
Temperature, operating	33–120°F		

^aTransmembrane pressure

Dimensions



Clean Filtration Technologies, Inc.
2653 Spring St.
Redwood City, CA 94063

(408) 914-2700
info@cleanfiltration.com
<http://www.cleanfiltration.com>

The CFT Turboclone™ filter is manufactured under U.S. patent 7,632,416 with other patents pending. The information contained in this publication is considered accurate and is intended to be used as a guide. This information is subject to change without notification.

Clean Filtration Technologies, Inc., does not assume any liability for the accuracy and completeness of the data in this publication. Temperature ratings, flow rates, and quality of source can be affected by a number of factors. End users should perform their own tests to determine suitability for each application.

™CFT Turboclone is a trademark of Clean Filtration Technologies, Inc.